



Sovitron Interior Pvt.Ltd.



**Model Name**

Sigma Soft Pendant / DLASSSSDPD-70

**Description**

Architectural Light

**Technical description**

**Image**

**Dimension**

L=1200mm  
H=60mm/90mm

**Frame**

Aluminium

**Color Tempertaure**

4000K

**Power**

70W

**Total Luminous Flux**

6300 lm

**Efficacy**

90 lm/W

**IP rating**

50

**Color Rendering**

≥80

**Mounting**

Pendant

**Optics**

White Opal Diffuser

**Dimming**

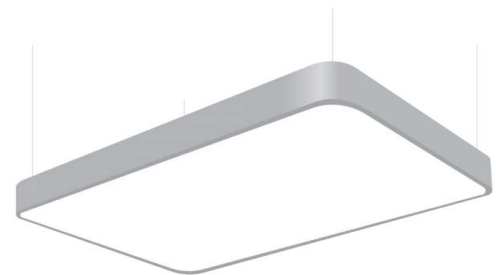
NON-Dimmable

**Operating Voltage**

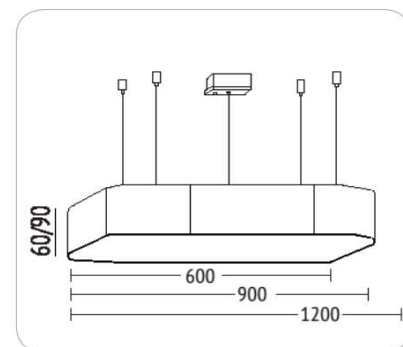
220-240 VAC

**Standard Lifetime**

L70 minimum at 50,000  
burning hours



**Dimension diagram**



Custom dimension, coating and installation  
available upon request

**Remarks:-**

**Address: Plot #7 Saroorpur-Nangla Industrial Area, Ballabgarh-Sohna Road, Faridabad-121005**

**Email: info@sovitron.com**